

TRACK-ADJ

Surface mounted track with single small spotlight

LIGHT SOURCE



POWER 1 W



>90



- ▶ 3000K
- ▶ 4000K
- ▶ 6500 K



RGBW
Not available

OPTIC

Available optics



10-20°



20-35°



35-60°

Glass

Tempered transparent

FIXTURE

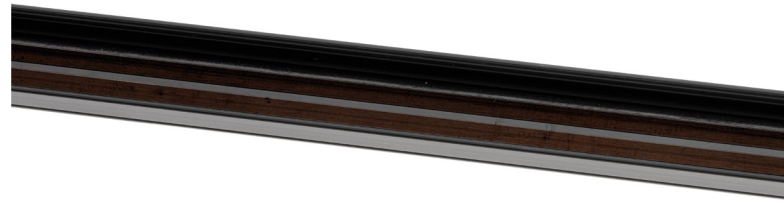
Material	Aluminum 6082
Finish	Anodized black aluminum
IP Rate	IP20
Fixing system	Clips, biadhesive

ELECTRICAL FEATURES

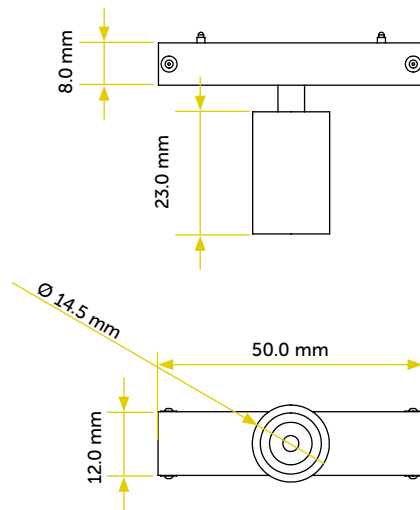
Driver	Integrated
Dimmable	PWM (100 – 500Hz)
Voltage	24 stab. Vdc
Protections	<ul style="list-style-type: none"> ▶ Reverse polarity ▶ 500V Spike ▶ Interference

MECHANICAL FEATURES

Dimensions	<p>∅ 14.5 x 23.0 mm</p> <p>50.0 x 12.0 x 8.0 mm</p>
Weight	45 gr
Use	Indoor

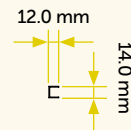
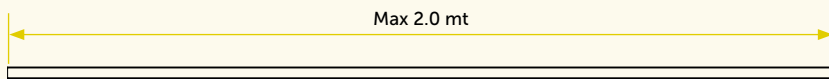


TRACK

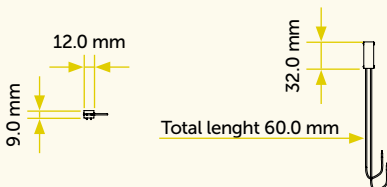


ACCESSORIES

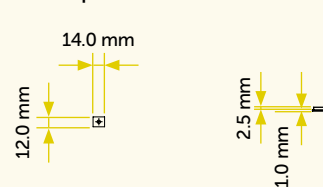
Track



Track feed



Track cap



Track fixing bracket

