

# S-AFX-RT

Recessed encased source downlight

## LIGHT SOURCE



POWER 3 W



> 90



- ▶ 2700K
- ▶ 3000K
- ▶ 4000K



RGBW not available



## OPTIC

Available accessories



Honeycomb louvre

Available optics



10-20°



20-35°



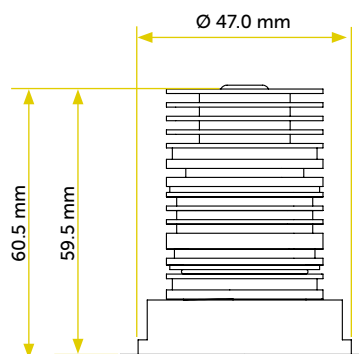
35-60°

Glass

Tempered transparent glass

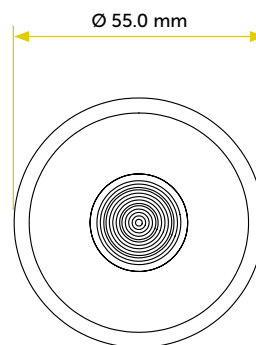
## FIXTURE

Body material	Aluminum 6082
Body finish	Black thickness oxidation
Frame material	▶ Aluminum 6082
Frame finish	▶ Anodization ▶ Coating
IP Rate	IP67
Fixing system	Springs



## ELECTRICAL FEATURES

Driver	Integrated
Dimmable	PWM (100 – 500Hz)
Voltage	18 - 32Vdc
Protections	▶ Reverse polarity ▶ 500V Spike ▶ Interference



## MECHANICAL FEATURES

Dimensions	Ø 55.0 mm – Recess 59.5 mm	
Weight	120 gr	
Cut-out	47.0 mm *	* Non-executive measures
Use	Outdoor and Indoor	