

COURTESY LIGHTS

MOON

Recessed step reflected light

LIGHT SOURCE



POWER 1 W



> 80



- ▶ 2700K
- ▶ 3000K
- ▶ 4000K



RGBW available



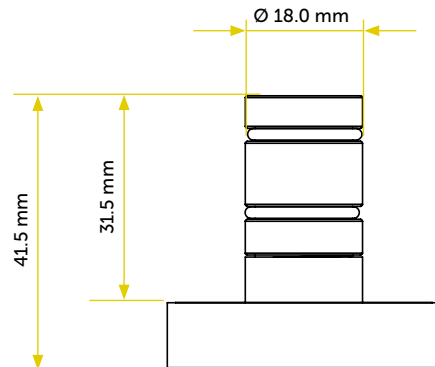
OPTIC

Plexiglass

Frosted

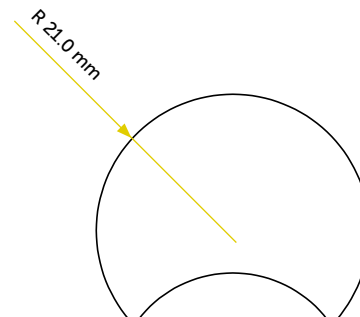
FIXTURE

Body material	Plexiglass
Frame material	<ul style="list-style-type: none"> ▶ AISI316L Stainless steel ▶ Aluminum 6082 ▶ Brass
Frame finish	<ul style="list-style-type: none"> ▶ Polishing ▶ Anodization ▶ Galvanization* ▶ Coating <p style="text-align: right; font-size: small;">*For interiors only</p>
IP Rate	IP68
Fixing system	Springs, O-Ring + Bushing



ELECTRICAL FEATURES

Driver	Integrated
Dimmable	PWM (100 – 500Hz)
Voltage	18 - 32 Vdc
Protections	<ul style="list-style-type: none"> ▶ Reverse polarity ▶ 500V Spike ▶ Interference



MECHANICAL FEATURES

Dimensions	R 21.0 mm – Recess 31.5 mm
Weight	45 gr
Cut-out	18.0 mm ** **Non-executive measures
Use	Outdoor and Indoor