

TECH LIGHTS

M-AB-01-SP

Recessed immersion downlight

LIGHT SOURCE

 POWER 6 W

 > 90

 ▶ 2700K
▶ 3000K
▶ 4000K

 RGBW available

OPTIC

Available accessories  Anti-glare screen printing

Available optics  10-20°  20-35°  35-60°  > 60°

Glass ▶ Tempered transparent glass
▶ Tempered frosted glass



FIXTURE


Body material Aluminum 6082

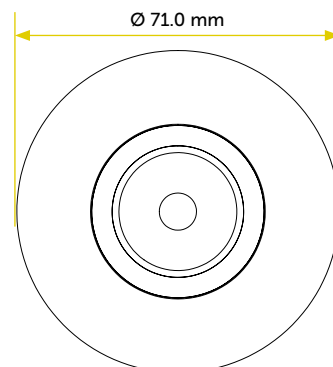
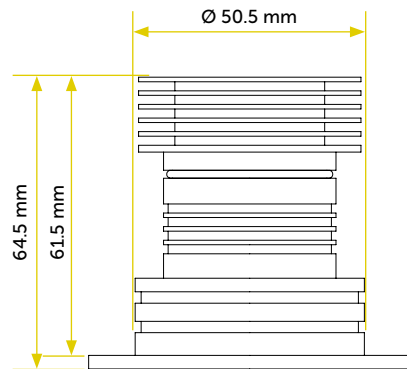
Body finish Black thickness oxidation

Frame material ▶ AISI316L Stainless steel
▶ Aluminum 6082

Frame finish ▶ Polishing
▶ Anodization
▶ Coating

IP Rate IP68

Fixing system  Frame with screws + threaded cover screws, O-Ring + Bushing on demand



ELECTRICAL FEATURES

Driver Integrated

Dimmable PWM (100 – 500Hz)

Voltage 18 - 32Vdc

Protections ▶ Reverse polarity
▶ 500V Spike
▶ Interference

MECHANICAL FEATURES

Dimensions Ø 71.0 mm – Recess 61.5 mm

Weight 190 gr

Cut-out 50.5 mm * * Non-executive measures

Use Outdoor and Indoor