

MINI SERIES

Flex Light

Free Cutting Top Bend 60866-67-68



Features

1. Mini series makes very easy and flexible application and Ideal for outline decorative lighting.
2. Uniform, dot-free, smooth and comfortable luminary up to 5meters [16.4ft.] run length.
3. IP67 with endcap sealed by glue for indoor and outdoor usage.
4. On field cuttable and assembly available to be any length.
5. Dimmable available with PWM signal.
6. Compared with traditional fragile glass and harden/yellowing easily PVC sheathing material, silicon extrusion technology is an advanced process, with high-efficiency production capacity and environmentally-friendly characteristics. Additionally, with high grade appearance, soft bend flexibility, strong impact resistant and high weather resistance.
7. 50,000h long lifespan, 5 years warranty.
8. UL & TUV-CE approval.

Application

1. Decoration for showcase, advertising, display board.
2. Lighting for hotel, garden, bridge.
3. Corridor, ceiling, stair, path way.
4. Signage, architecture lighting.



Flex Light

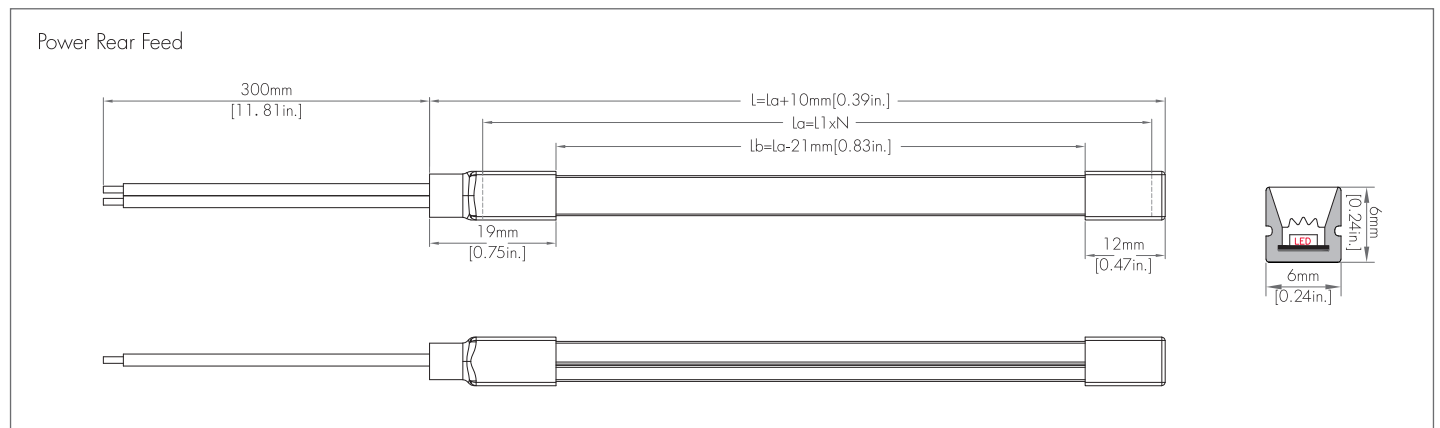
Specification

Dimension / Diagram

Endcap sealed by gluing process

L: Total length
 lb: Illumination surface length
 N: Number such as 1,2,3N

La: Length of LED strip light
 L1: Minimum cutting unit



General Parameters

Product No.	Style	Dimension	Max. Run Length (La)	Min. Unit (L1)	LED Type	LED QTY	IP&IK Rating	Operating Ambient	Lifespan	Warranty
60866	Top Bend	W6xH6mm	5M	Free-Cutting to be any length	SMD 2216	240LED/M	IP67 [Wet] & IK06	Ta: -20~45°C	50,000h (L70@ Tc≤65°C [149°F], Tc is the temp. of LED pin.)	5 years
60867										
60868										

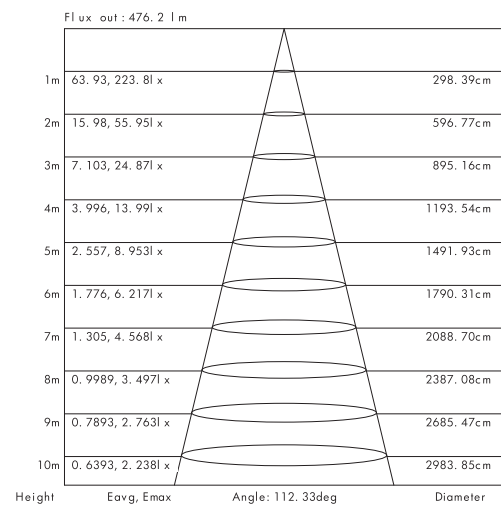
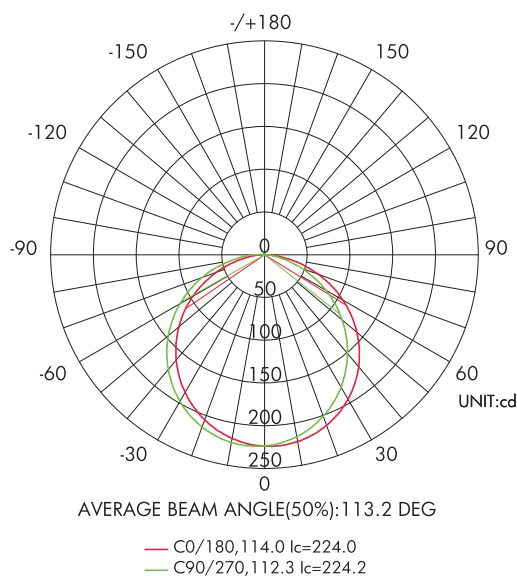
Photoelectric Parameters

Product No.	Style	Power ±10%	Operating Voltage	Finished Product CCT/ Wavelength	CRI80, 4000K		CRI90, 4000K		Beam Angle
					Luminous Flux±10%	Light Efficiency	Luminous Flux±10%	Light Efficiency	
60866	Top Bend (White)	9W/M [2.74W/ft]	DC24V	2700K +/-120K 3000K +/-150K 4000K +/-300K Other CCT on demand	\	\	540lm/M	60lm/W	120°
60867									
60868									

Note:

- (1) Luminous flux for CCT 3000K is 5% higher, for CCT 3500K/4000K is 8% higher, for CCT 5000K/6500K is 10% higher, compared with 2700K.
- (2) The Max. Length (La) is defined as power fed on one side.
- (3) Installation accessories pack should be ordered separately according to specific case.

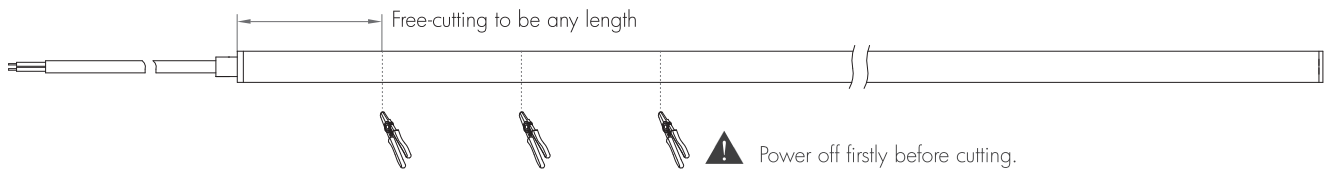
Light Distribution Diagram



Note: The Curves indicate the illuminated area and the average illumination when the luminaire is at different distance.

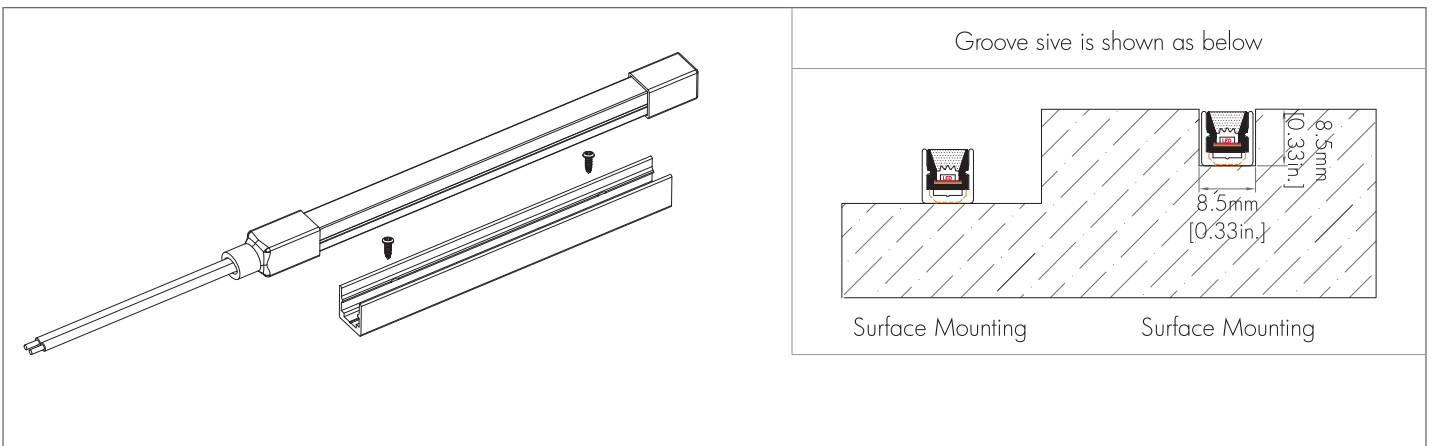
Top Bend (9W, CRI90, 4000K)

Cutting



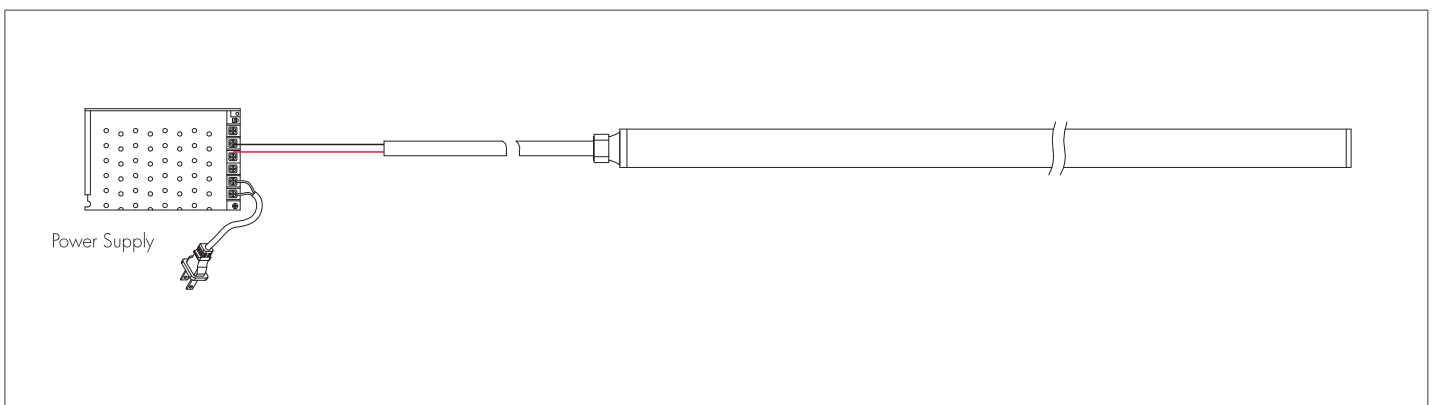
Installation

Fixed by Aluminum-profile+Screws



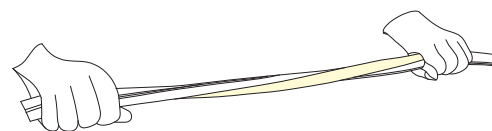
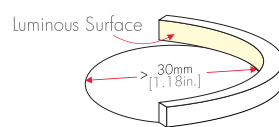
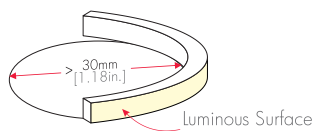
Connection

Non-dimmable Method



Notice

1. Adopt suitable power supply with power is 20% higher than the max. power of luminary, to ensure long time performance of power supply.
2. Do not install it when power is on. Before powering on, make sure the wiring is correct.
3. Avoid privately changing or damaging the circuit or other component on the luminary.
4. Avoid scrape, twist and irregular bend during installation, which might cause non repairable status for the luminary.
5. Minimum bending diameter definition is 30mm[1.18in.], too small bending diameter will break the luminary.
6. Minimum twist degree is 360° per 1000mm[39.4in.].
7. Luminary linked in over long length will lead to problem of overload or uneven brightness.
8. To protect your eyes, do not stare at the luminary for a long time while it's illuminated.
9. Only professional personnel can install, dismantle and repair.
10. Bend and twist diagram is shown as below.



▲ Max. twist angle is 360° per 1000mm[39.4in.]



Can be top bend