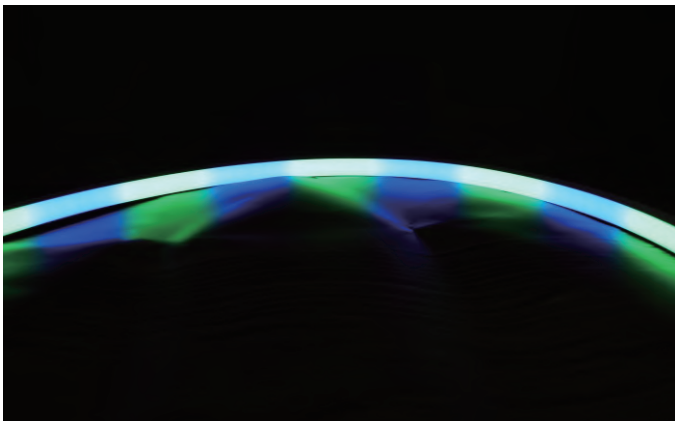
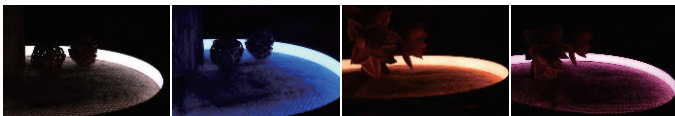


ALTRALUCE

IP67 VOLUTE SERIES

Flex Light

Top Bend 60813 14 W/M RGBW



Features

1. Plane profile allows installation and application in surface mount or flush mount.
2. Uniform, dot-free and smooth lighting performance up to 5M[16.4ft.].
3. Addressable and pixel controllable by DMX signal, with TM512AC smart IC built-in design.
4. On field cuttable and assembly, with endcap sealed by gluing process.
5. Customized length with overall appearance in the same size by die-casting process.
6. Dimmable available with PWM signal.
7. Compared with traditional fragile glass and harden/yellowing easily PVC sheathing material, silicon extrusion technology is an advanced process, with high-efficiency production capacity and environmentally-friendly characteristics. Additionally, with high grade appearance, soft bend flexibility, strong impact resistant and high weather resistance.
8. Up to 50,000h LED lifespan and 5 years warranty.
9. CE & UL approval.

Application

1. Decoration for showcase, advertising, display board.
2. Lighting for hotel, garden, bridge.
3. Corridor, ceiling, stair, path way.
4. Signage, architecture lighting.

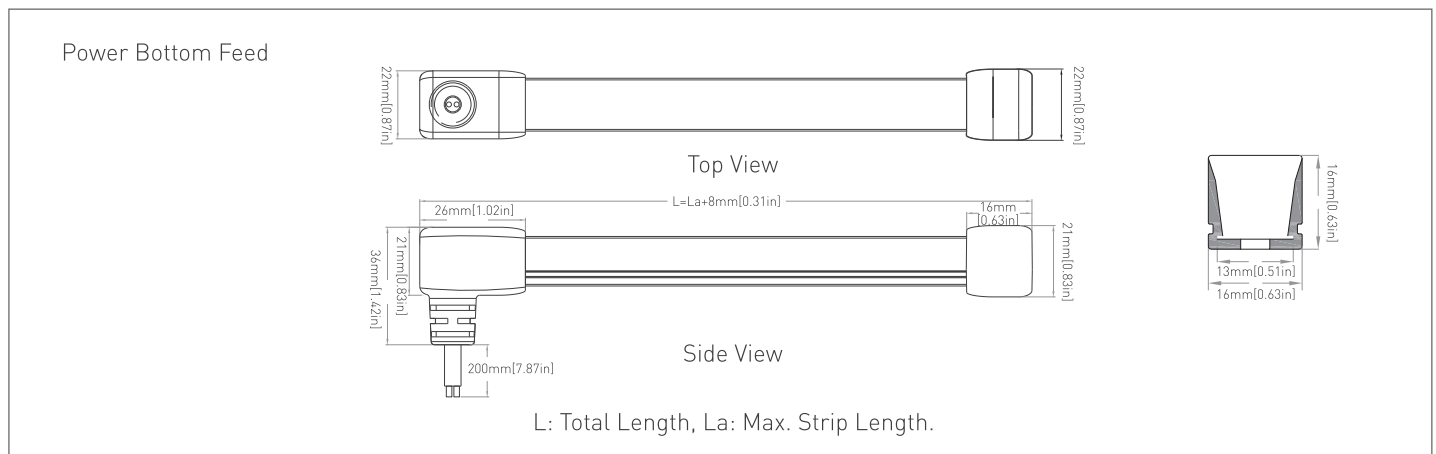
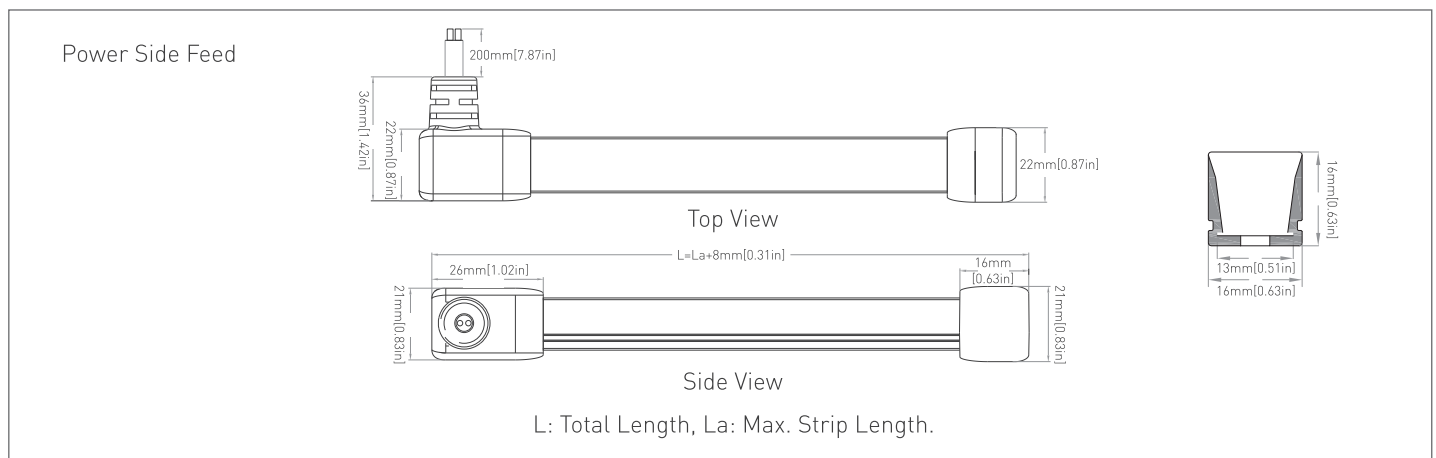
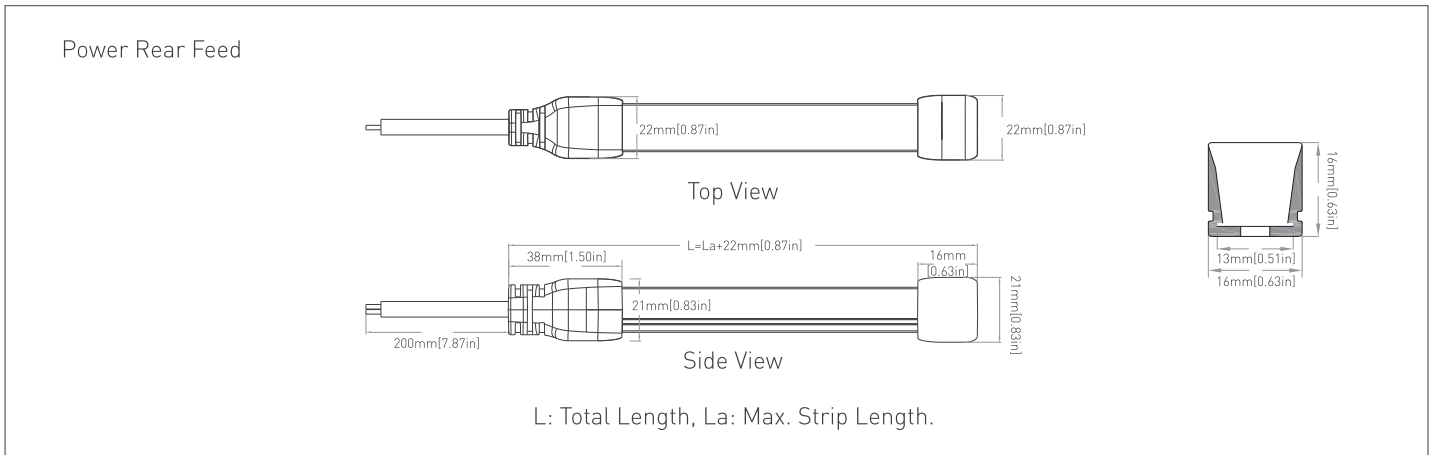


Specification

Dimension / Diagram

Top Bend 60813 (Endcap sealed by gluing process)

L: Total length
 Lb: Illumination surface length
 N: Number
 La: Length of LED strip light
 L1: Minimum cutting unit



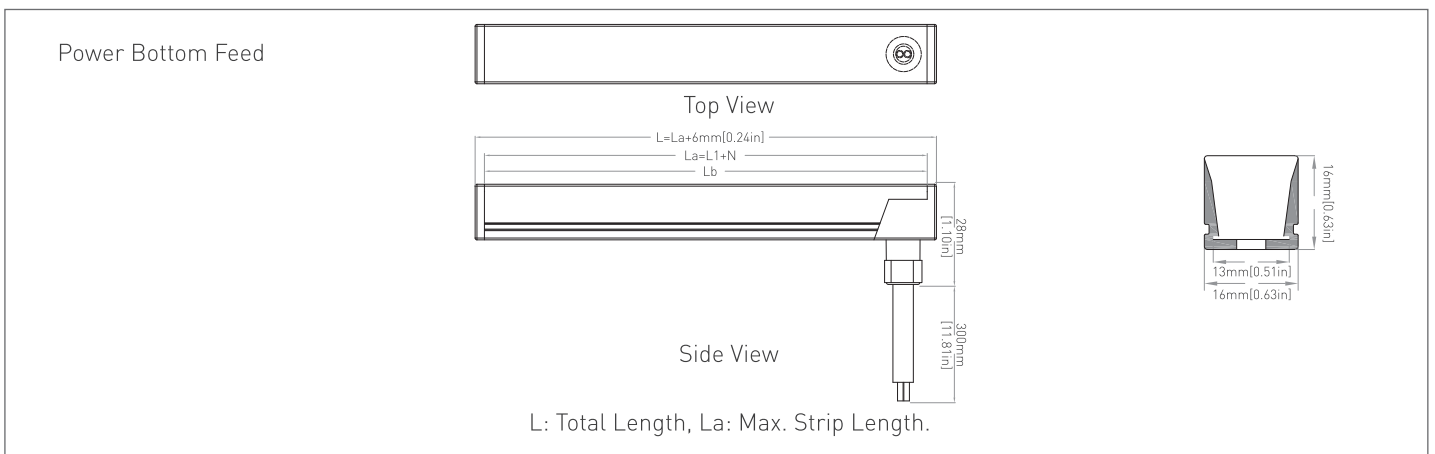
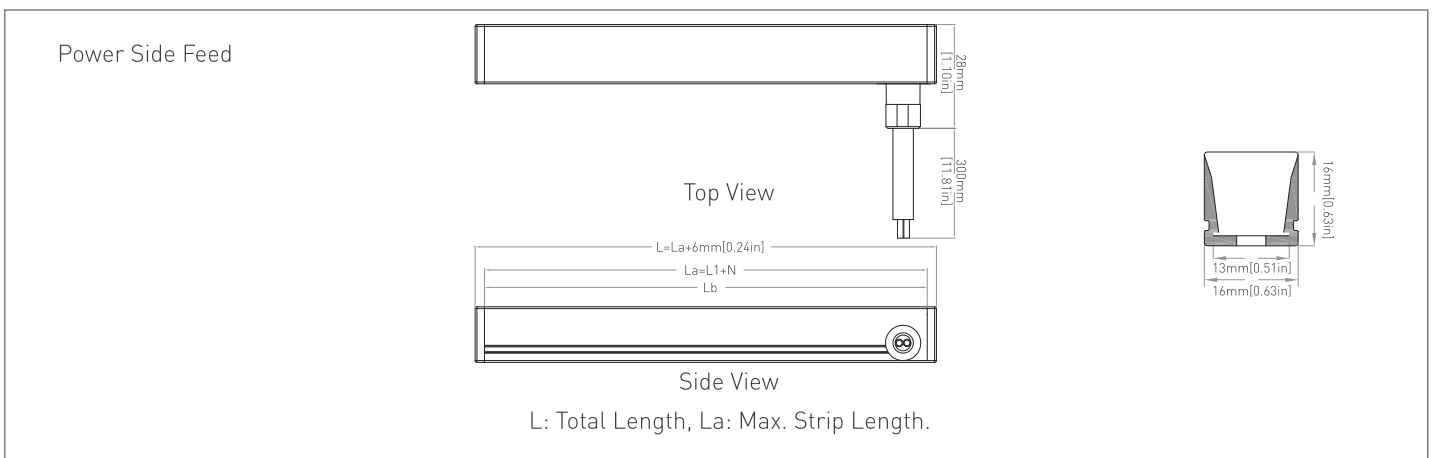
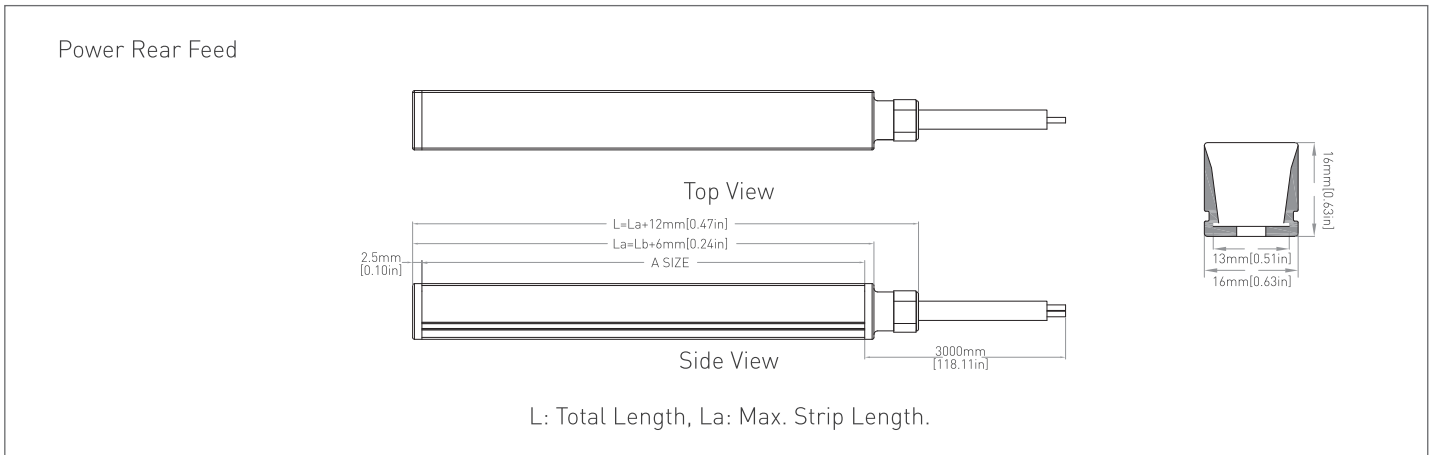
Flex Light

Specification

Dimension / Diagram

Top Bend 60813 (Endcap sealed by gluing process)

L: Total length
 Lb: Illumination surface length
 N: Number
 La: Length of LED strip light
 L1: Minimum cutting unit



Flex Light

General Parameters

Product No.	Style	Dimension	Max. Run Length (La)	Min. Unit (L1)	LED Type	LED QTY	IP&IK Rating	Operating Ambient	Lifespan	Warranty
60813	Top Bend (RGBW)	W16xH16mm	5 M	100mm	SMD 5050	96LED/M	IP67 & IK06	Ta: -20~45°C [-4~113°F]	36,000h RGBW (L70@ Tc ≤ 65°C [149°F], Tc is the temp. of LED pin.)	3 years

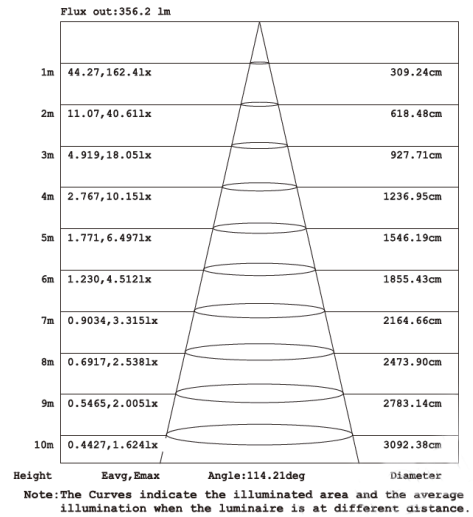
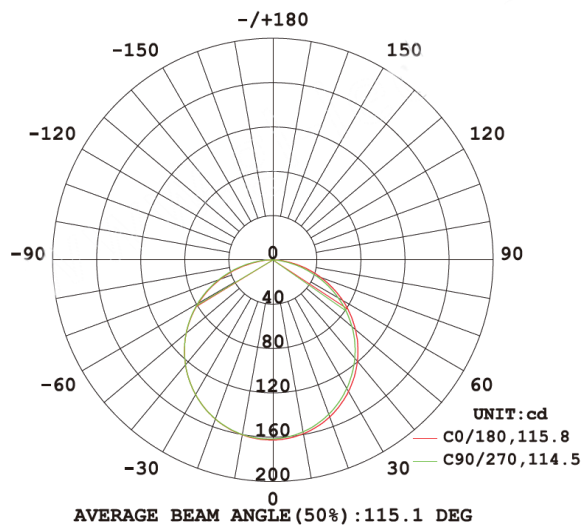
Photoelectric Parameters

Product No.	Style	Power (Max.)	Operating Voltage	Finished Product CCT/ Wavelength	CRI80 4000K	CRI90 4000K	Pixel Segment & Address QTY	Beam Angle
					Luminous Flux±10%	Luminous Flux±10%		
60813	Top Bend (RGBW)	14W/M	24 VDC	R:620-630nm G:515-525nm B:460-470nm W:3000K Other CCT on demand			\	120°

Note:

- (1) Luminous flux for CCT 2700K is 10% lower, for CCT 3000K / 3500K is 5% lower, for CCT 5000K / 6500K is the same, compared with 4000K.
- (2) The Max. Length (La) is defined as power fed on one side.
- (3) The power of the strip need to be reduced to 9W/M[2.74W/ft.]@White for operating ambient temperature in -20~55°C[-4~131°F].
- (4) Installation accessories pack should be ordered separately according to specific case.

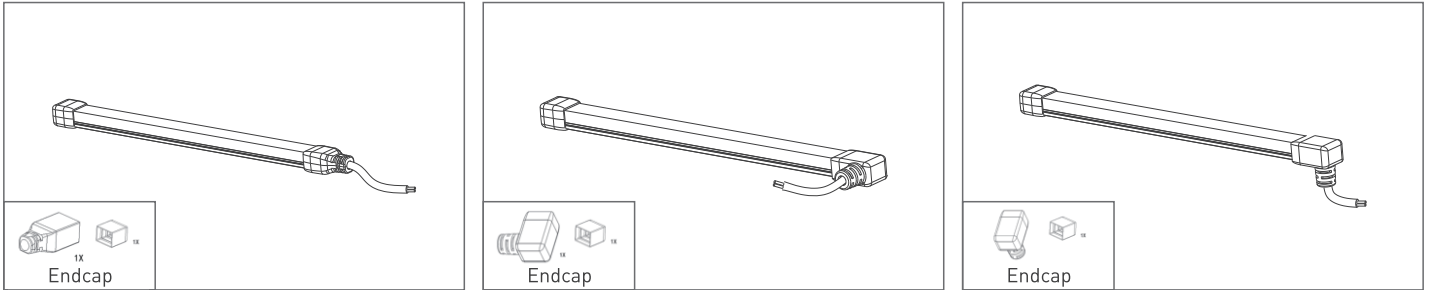
Light Distribution Diagram



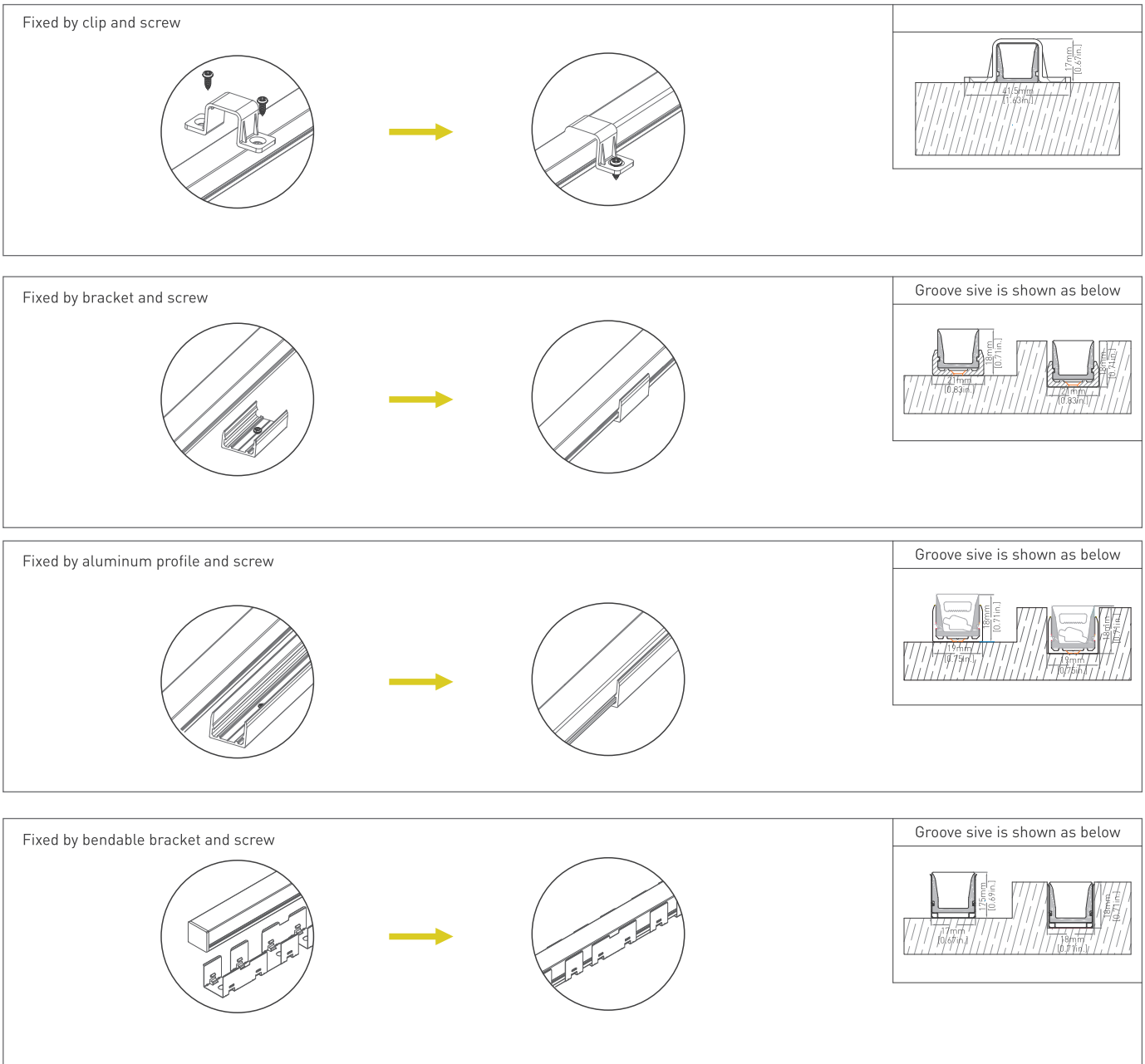
RGBW, 4000K

General Characteristics

(1) Power cable in rear feed, side feed and bottom feed.

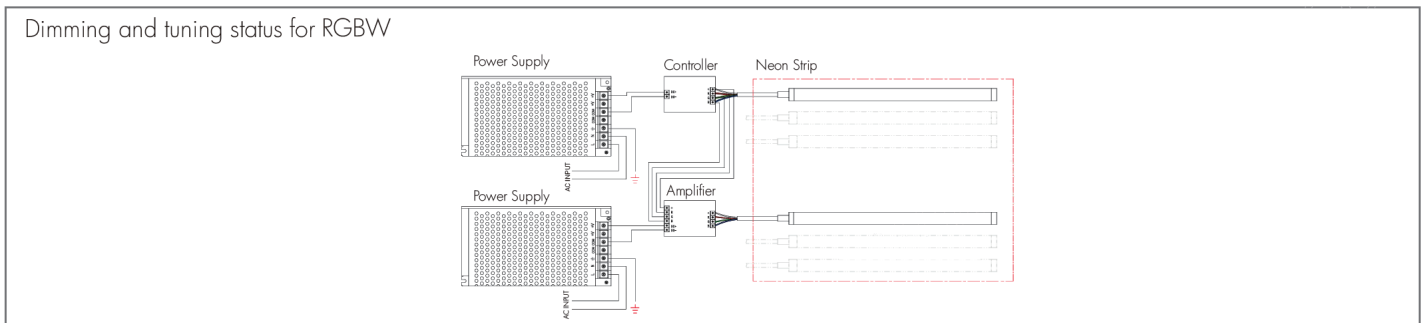


(2) Surface mounting or flush mounting by clip, bracket, aluminum channel or bendable bracket.



Note: It's also support flush mounting into groove by gluing process.

Connection



Notice

1. Adopt suitable power supply with power is 20% higher than the max. power of luminary, to ensure long time performance of power supply.
2. Do not install it when power is on. Before powering on, make sure the wiring is correct.
3. Avoid privately changing or damaging the circuit or other component on the luminary.
4. Avoid scrape, twist and irregular bend during installation, which might cause non repairable status for the luminary.
5. Minimum bending diameter definition is 200mm[7.87in.], too small bending diameter will break the luminary.
6. Minimum twist degree is 360° per 1000mm [39.4in.].
7. Luminary linked in over long length will lead to problem of overload or uneven brightness.
8. To protect your eyes, do not stare at the luminary for a long time while it's illuminated.
9. Only professional personnel can install, dismantle and repair.
10. Bend and twist diagram is shown as below.

